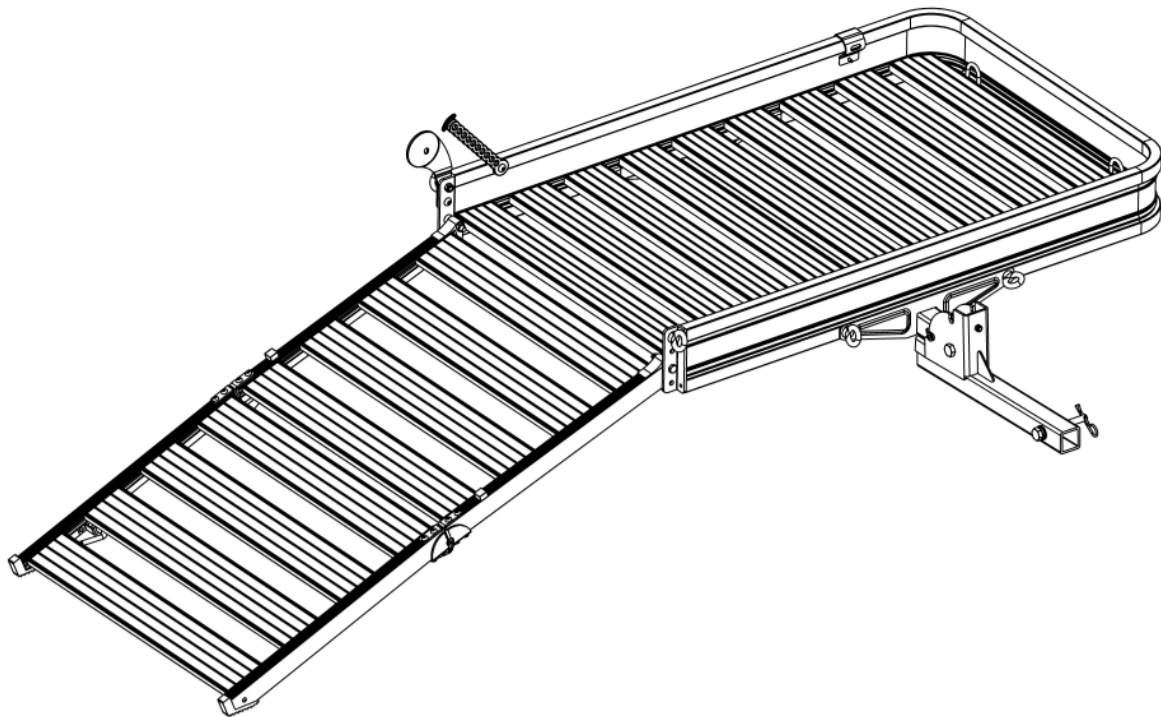


# EZ-Folding Aluminum Cargo Carrier w/ramp



## Assembly Recommended Tools:



Monkey Wrench  
(1pc)  
Size=0~30mm



Open Wrench  
(1pc)  
Size=17mm



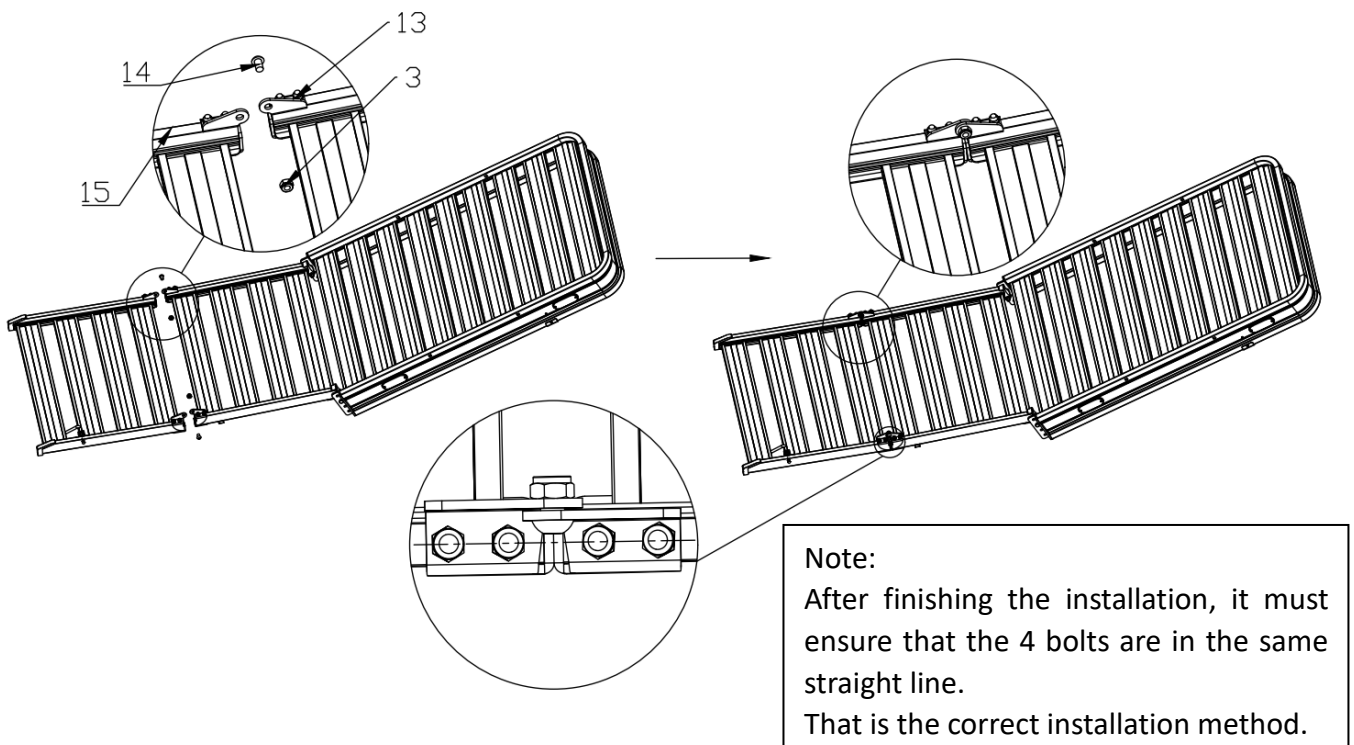
Open Wrench  
(1pc)  
Size=24mm



Hex Key  
(1pc)  
Size=6mm

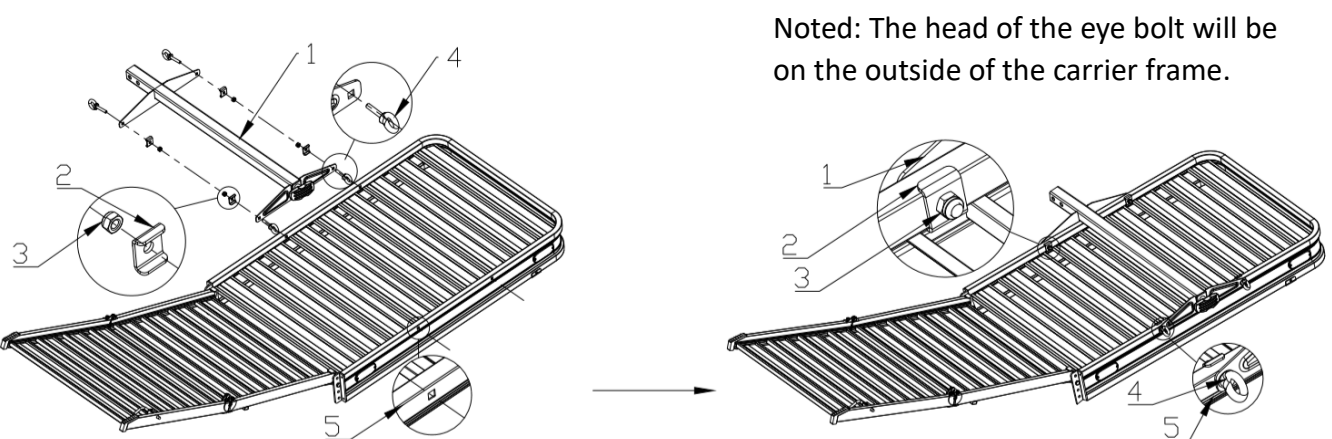
**STEP 1** Turn the round head of the M10x20 button socket cap screw (# 14) outwards through the lower ramp (# 15) and the upper ramp (# 13). Then screw the M10 locket (# 3) to 80% tightness, so that both ramps can rotate smoothly. As shown in figure 1

**FIG. 1**



**STEP 2** Place the bottom bracket (#1) on the bottom of the carrier frame (#5) and line up the square holes. Insert an M10 eyebolt (#4) through the bottom bracket (#1), carrier frame (#5) and U-clamp (#2) in all four locations, and finally tighten it with the M10 locknut (#3). As shown in figure 2

**FIG. 2**



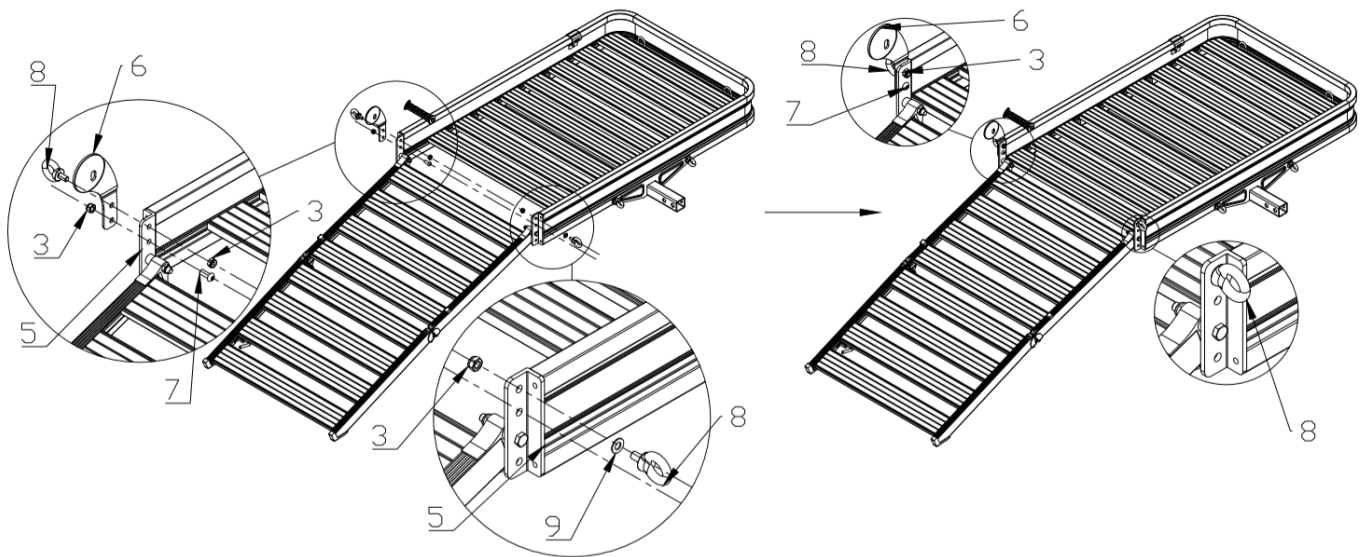
**STEP 3** Mount the fixed plate (#6) to the carrier frame (#5) by inserting an M10 x 20mm eyebolt (#8) through the upper hole in the fixed plate (#6) and the upper hole in the carrier frame (#5) as shown.

Secure with an M10 lock nut (#3).

Insert an M10 x 25mm button socket cap screw (#7) through the second round hole in the carrier frame (#5) and the fixed plate (#6) from the top down. Secure with an M10 (#3) lock nut.

Finally, insert M10 x 20mm eyebolt into top hole of carrier frame (#5) and slide M10 (#3) flat washer (#9) onto eyebolt. Secure with an M10 (#3) lock nut. As shown in figure 3

**FIG. 3**

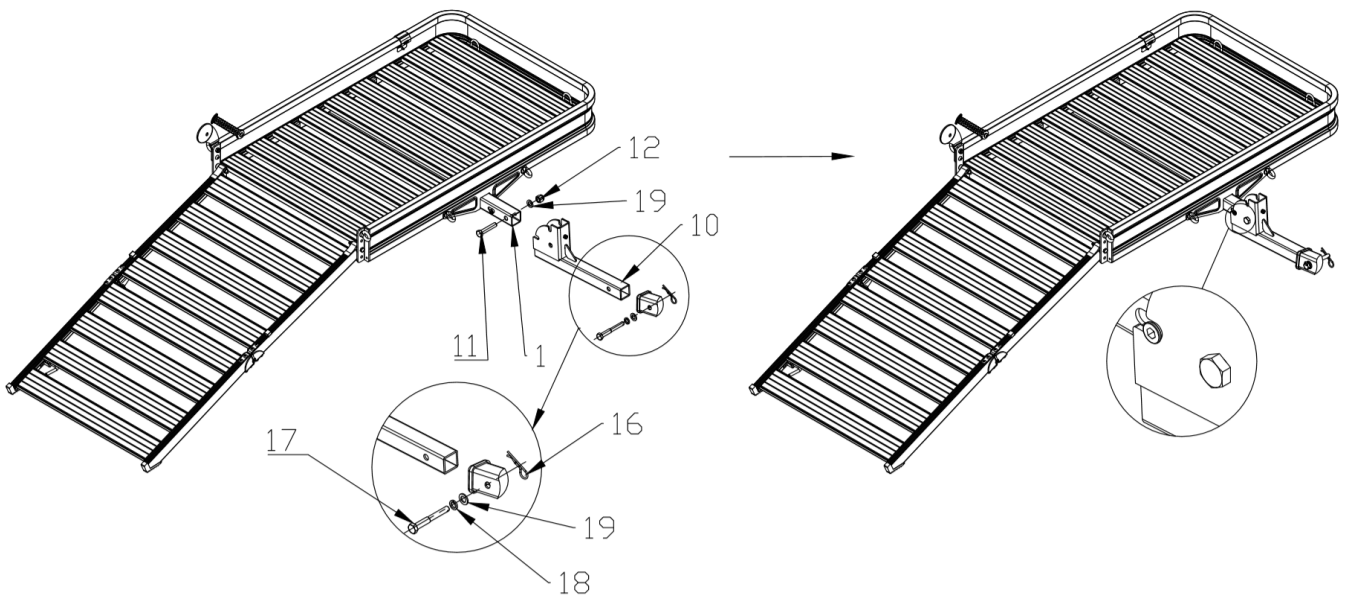


**STEP 4** Install the rotating receiver (#10) on the bottom bracket (#1) by aligning the two upper holes in the rotating receiver (#10) with both holes in the bottom bracket (#1).

Insert an M16 x 85mm hex head bolt (#11) through the hole in the rotating receiver (#10) and bottom bracket (#1), then screw the 16 flat washer(#19) and the M16 lock nut (#12)., tightening until rotating receiver still pivots freely.

Finally, install the rotating receiver (#10) to the receiver at the end of the car. Through the hole of rotating receiver (#10) and the receiver by M16 shockproof bolt (#17) through 16 spring washer (#18) and 16 flat washer (#19), After tightening, the 3.8 split pin (16#) passes through the hole limit on the M16 shockproof bolt (17#). As shown in figure 4

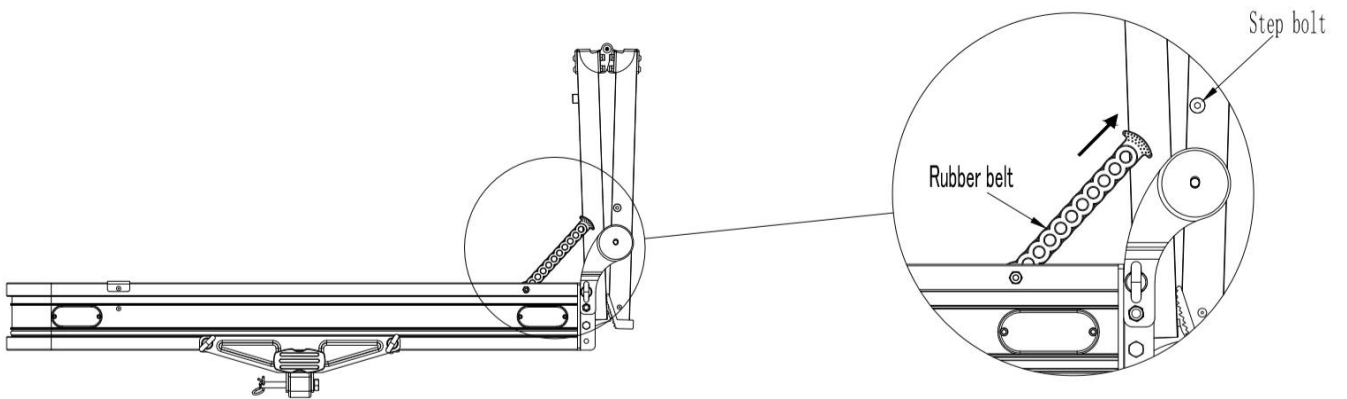
**FIG. 4**



**STEP 5**

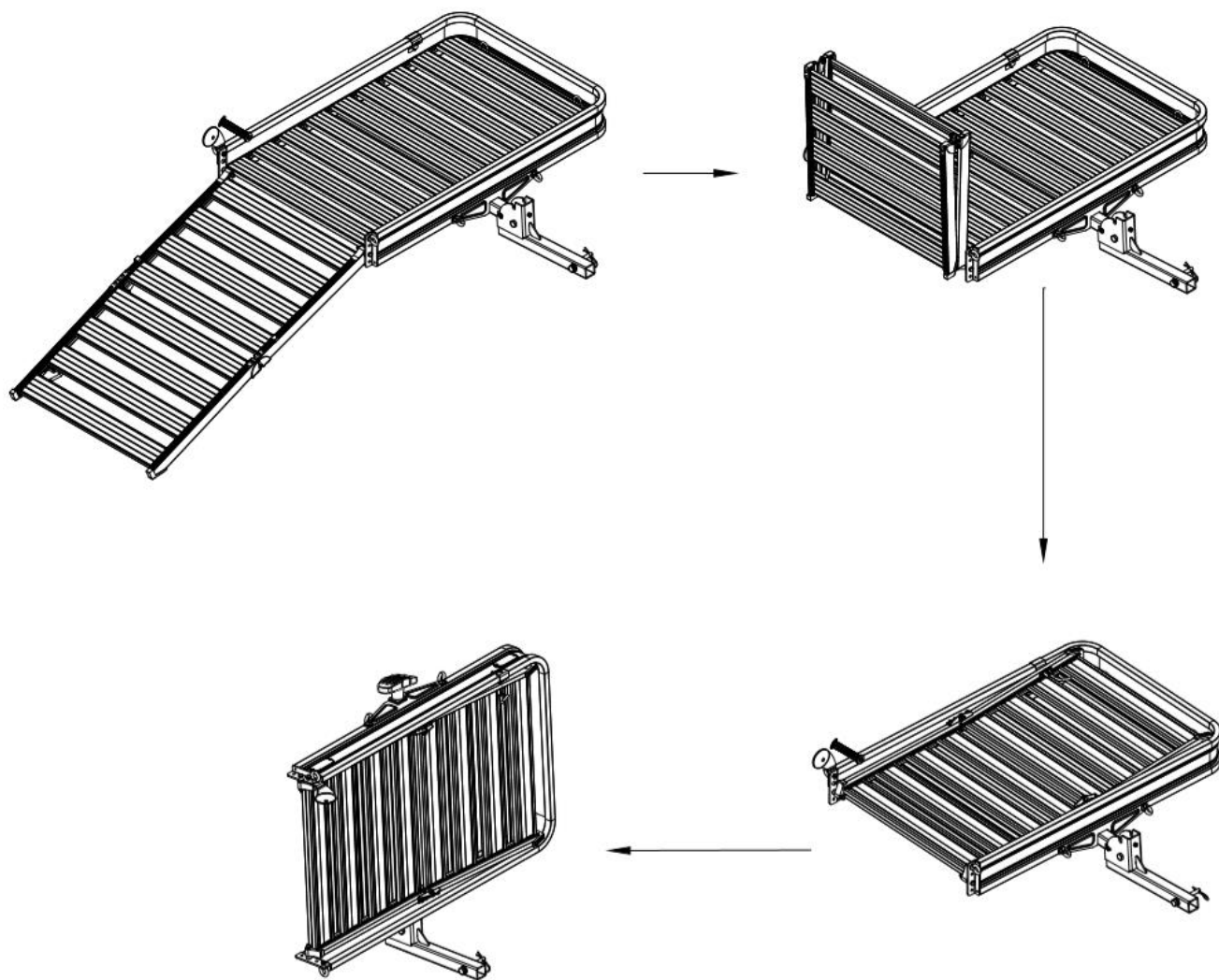
When the ramp is in the upright state, fasten the rubber belt on the step bolt of the ramp to reduce the rattle. See FIG 5

**FIG. 5**



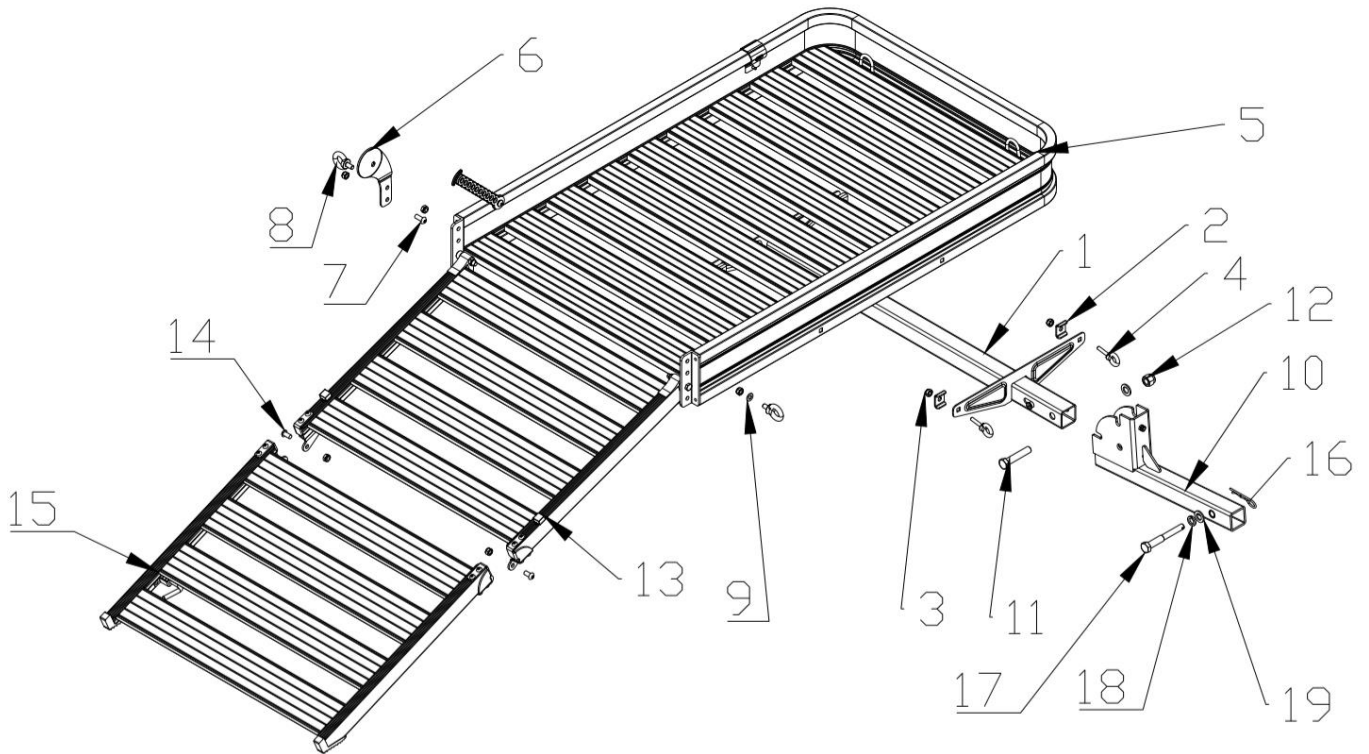
STEP 6 The folding steps are shown in figure 6

FIG. 6



Explosion diagram. See FIG 7

FIG. 7



**Part List**

Part#	Description	Q'ty	Part#	Description	Q'ty
1	Bottom bracket	1	11	Hex head bolt, M16 x 85mm	1
2	U-clamp	4	12	Lock nut, M16	1
3	Lock nut, M10	9	13	Upper ramp	1
4	Eye bolt, M10 x 45mm	4	14	Button socket cap screw, M10 x 20mm	2
5	Carrier frame	1	15	Lower ramp	1
6	Fixed plate	1	16	3.8 split pin	1
7	Button socket cap screw, M10 x 25mm	1	17	M16 shockproof bolt	1
8	Eye bolt, M10 x 20mm	2	18	Spring washer, M16	1
9	Flat washer, M10	1	19	Flat washer, M16	2
10	rotating receiver	1			