

⚠️ IMPORTANT

READ BEFORE YOU BEGIN INSTALLATION

IT IS CRITICAL FOR YOUR SAFETY THAT YOU CAREFULLY READ AND FOLLOW THE SAFETY CAUTIONS AND INSTALLATION INSTRUCTIONS BOTH PRIOR TO AND DURING INSTALLATION.

USER SAFETY CAUTION

During installation, be mindful of the potential for sharp edges on the product or vehicle. Taking proper safety precautions helps ensure a safe and smooth installation process.



Always wear protective gloves and handle components with care to reduce the risk of injury.

TEMPERATURE SURFACE CAUTION

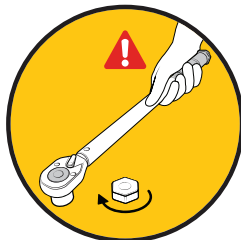
During high temperatures or extended sun exposure, surfaces of this product may become hot to the touch, posing a risk of burns or injury. Use caution when handling the product in hot weather and allow time for it to cool before contact.



Always check surface temperature before use to ensure safe handling conditions.

FASTENER TORQUE CAUTION

All fasteners must be tightened to the specified torque values provided in the installation instructions to ensure proper fit and safe operation of the tonneau cover. Under- or over-tightening can lead to product failure, potential damage to your vehicle, injury, or safety hazards while driving.



Always use a calibrated torque wrench and follow the specifications in the installation instructions.

PINCH POINT SAFETY CAUTION

This tonneau cover may create pinch points when closing or operating near solid surfaces such as the truck bed rails or tailgate. To prevent injury, keep hands, fingers, and other body parts clear of moving parts during operation.



Always operate the cover slowly and with caution to ensure safe and proper use.

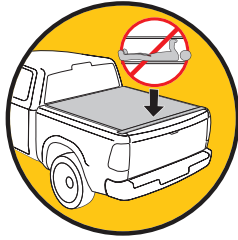
⚠️ IMPORTANT

READ BEFORE YOU BEGIN INSTALLATION

IT IS CRITICAL FOR YOUR SAFETY THAT YOU CAREFULLY READ AND FOLLOW THE SAFETY CAUTIONS AND INSTALLATION INSTRUCTIONS BOTH PRIOR TO AND DURING INSTALLATION.

ENTRAPMENT SAFETY WARNING

This tonneau cover does not feature a manual release mechanism from inside the truck bed. To prevent the risk of entrapment, never allow anyone to be inside the bed of the truck when the cover is closed.



Always ensure the area is clear before closing the cover, and keep the cover securely latched when not in use to avoid accidental closure.

COVER ATTACHMENT WARNING

A partially folded up or unsecured cover may detach during transit, risking vehicle or property damage and personal injury.



Always verify the tonneau cover is properly secured before operating the vehicle.

CARGO TRANSPORT WARNING

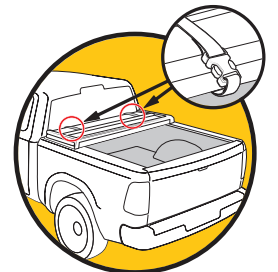
When transporting cargo that is taller than the truck bed, the cover must be fully folded open and securely fastened with both retainer straps. An unsecured cover can detach while driving, risking vehicle or property damage and personal injury.



Never operate the vehicle with a partially folded up cover.

COVER POSITION WARNING

Before operating the vehicle, always verify the tonneau cover is either fully folded open and secured with both buckles or fully folded closed and securely latched down.



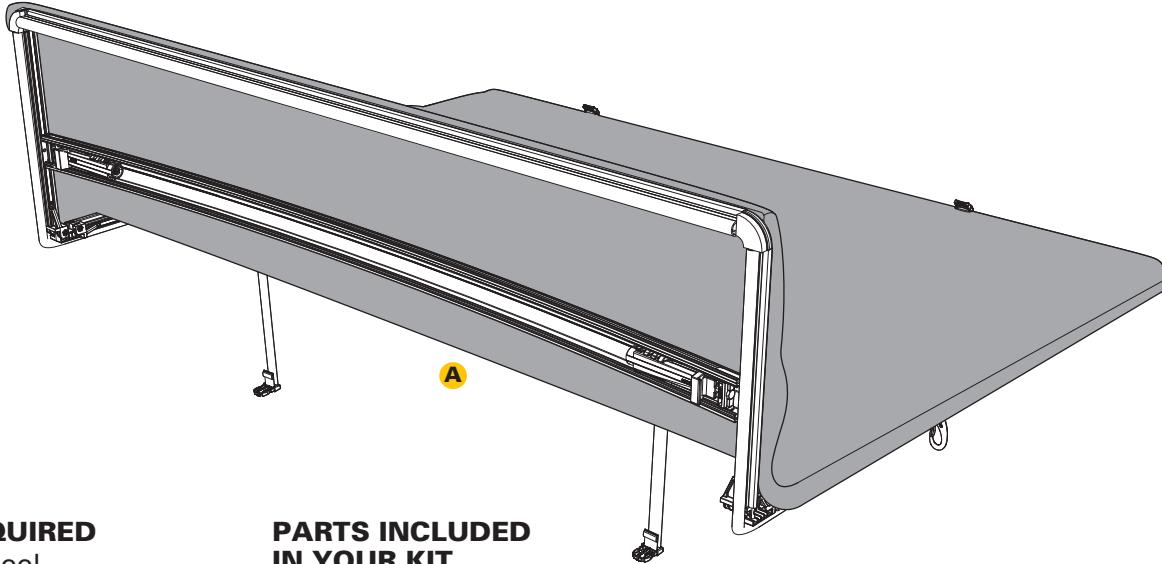
Never operate the vehicle if the tonneau cover is not properly secured.

Any damaged or missing parts?

Parts will be shipped to you directly.

Call 800-877-2588, Mon - Fri, 8:30 a.m. - 6:00 p.m. EST

NOTE: It is important that all the areas where the bed cover mounts to the truck are clean and free of debris before installation.

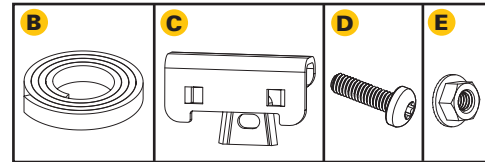


TOOLS REQUIRED

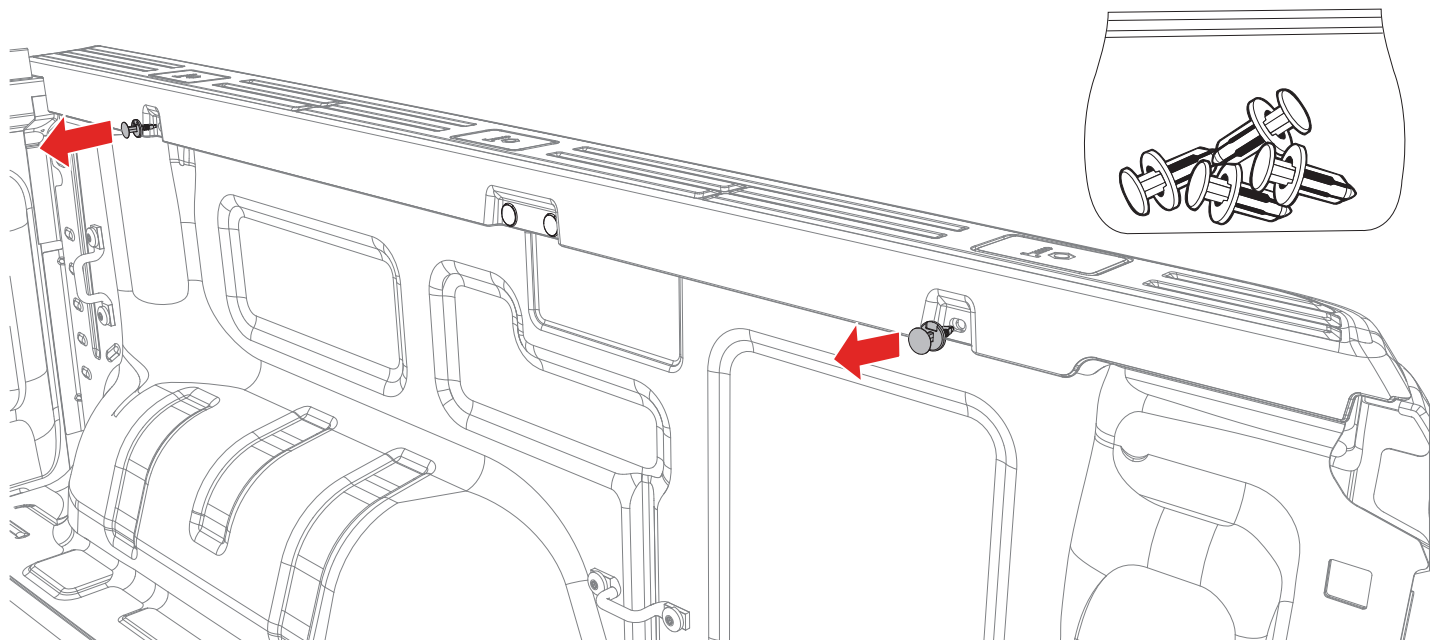
- T-30 Torx tool
- Isopropyl alcohol
- Scissors or razor blade

PARTS INCLUDED IN YOUR KIT

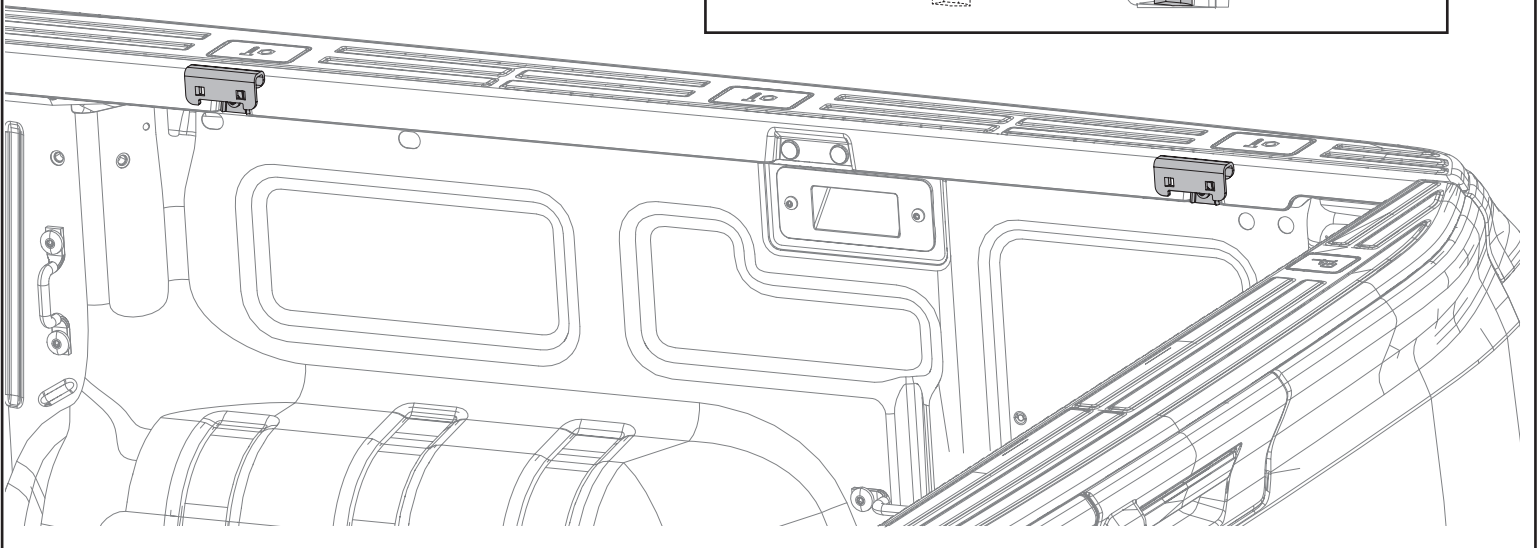
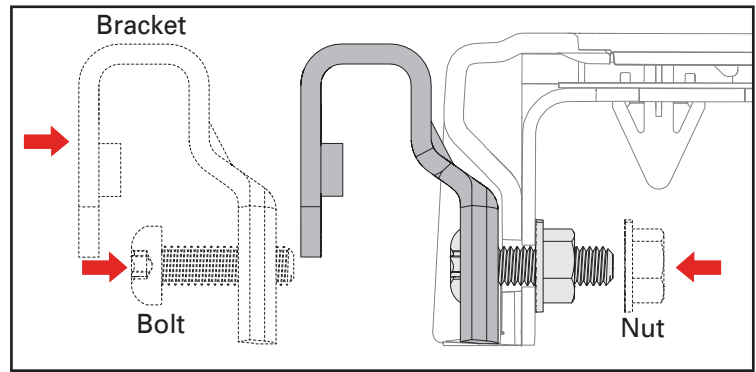
- A** 1x Cover assembly
- B** 1x Bulkhead seal
- C** 4x Brackets
- D** 4x T-30 Torx bolts
- E** 4x M6 Nuts



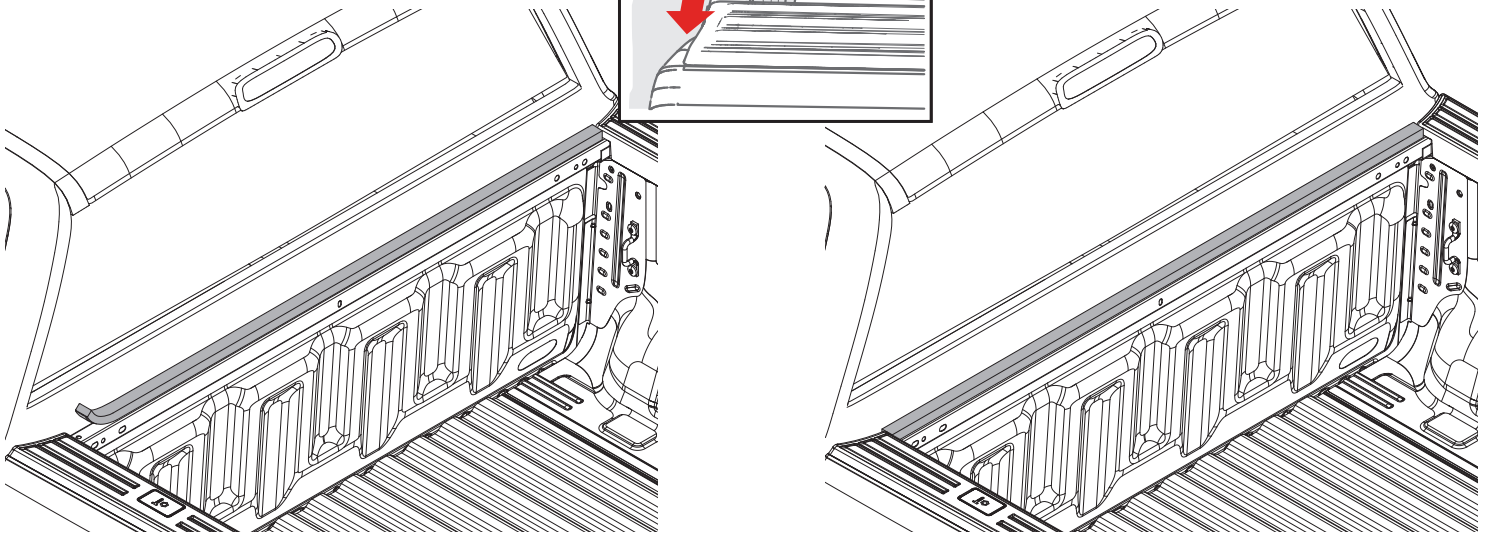
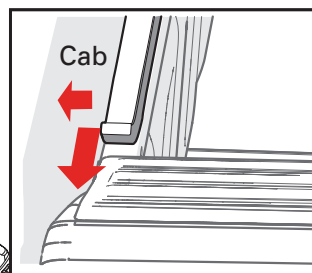
1 Remove the two corner clips from the passenger and driver side bed caps. Store them in a plastic bag and put them in your vehicle's glove box.



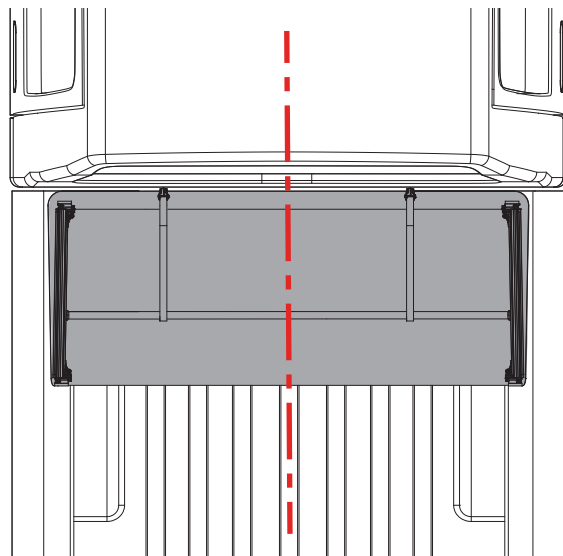
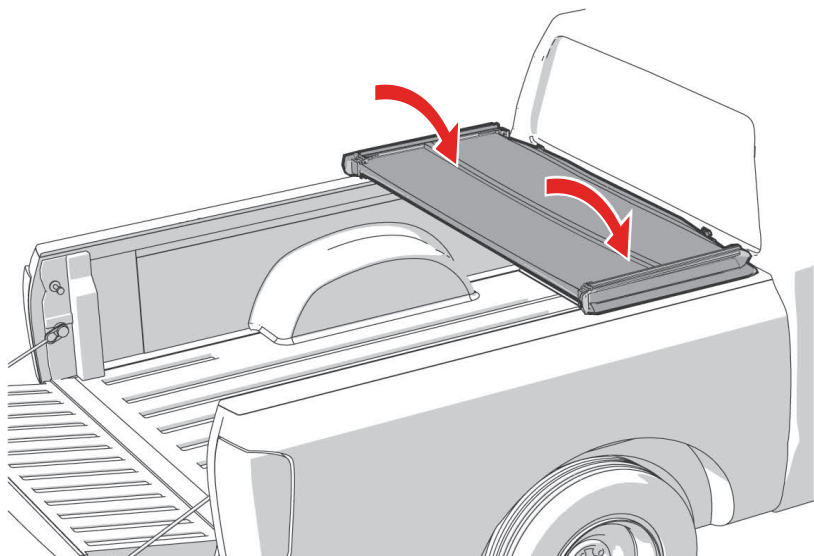
2 Install the brackets (C), bolts (D) and nuts (E) provided using the T30 tool on the passenger and driver side bed caps, where you removed the two corner clips in Step 1. Make sure the nut is behind the sheet metal, as shown below. **NOTE:** Torque to 8 ft/lbs (11 Nm).



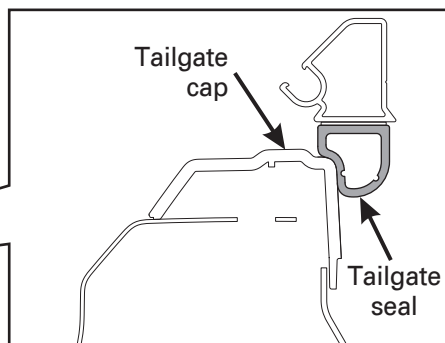
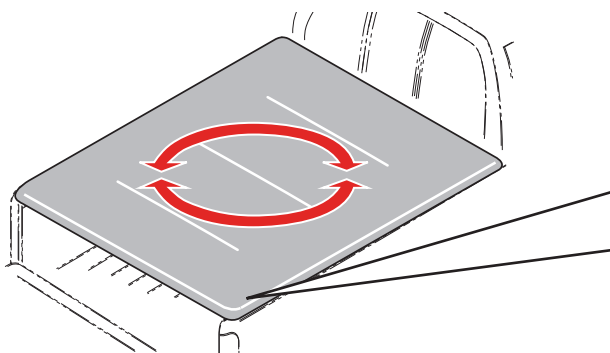
3 Install the bulkhead seal (B). Clean the top of the bulkhead where the seal will go with soap and water to remove dirt and debris. Then clean the same area with isopropyl alcohol remove wax or grease and to evaporate any remaining water. Allow the surface to dry. Peel the backing paper from the seal and apply pressure to the entire seal to make sure the adhesion is good. The seal should be flush with the front edge of the bulkhead and the seal should be snug between the bed rail caps. **NOTE:** Trimming of seal may be required.



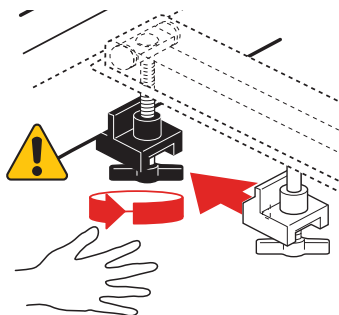
4 Place the assembled bed cover (A) over the cab end of the truck bed. **NOTE:** Take care not to damage or deform the seals when installing the bed cover onto the truck bed. Visually check to ensure the front bed cover frame is even on both sides and square with the bed. Make sure the cover is centered on the bed of the vehicle before tightening clamps.



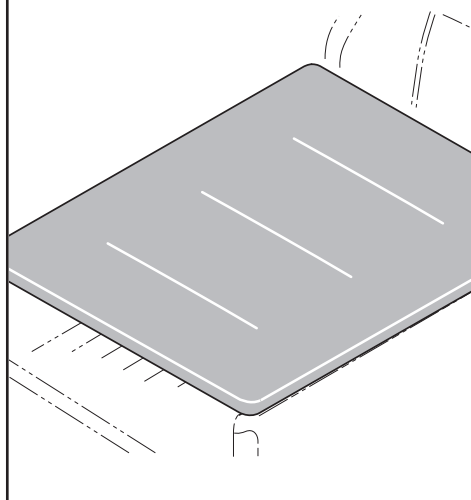
5 Unfold the bed cover fully and adjust the position over the truck bed for proper cab and tail alignment. Then carefully refold the bed cover without shifting its position on the truck bed. **NOTE:** Ensure the tail seal contacts the tailgate cap as shown.



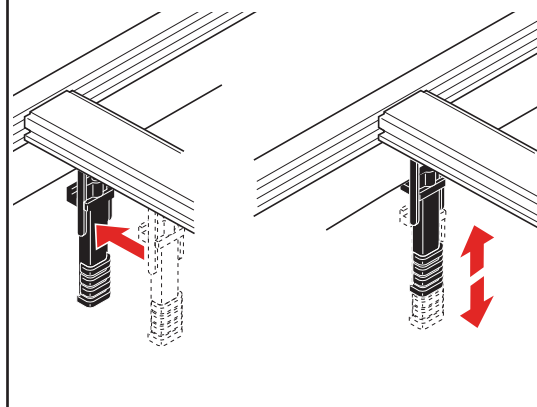
6 Ensure that the front clamps are positioned under the previously installed brackets. Tighten the clamp securely so that the cover does not slide/shift or lift from the truck bed. Do Not secure to only the lip of the bedliner or wall cap. **Do Not Use a Wrench or Overtighten!**



7 With the tailgate open, unfold the bed cover fully.

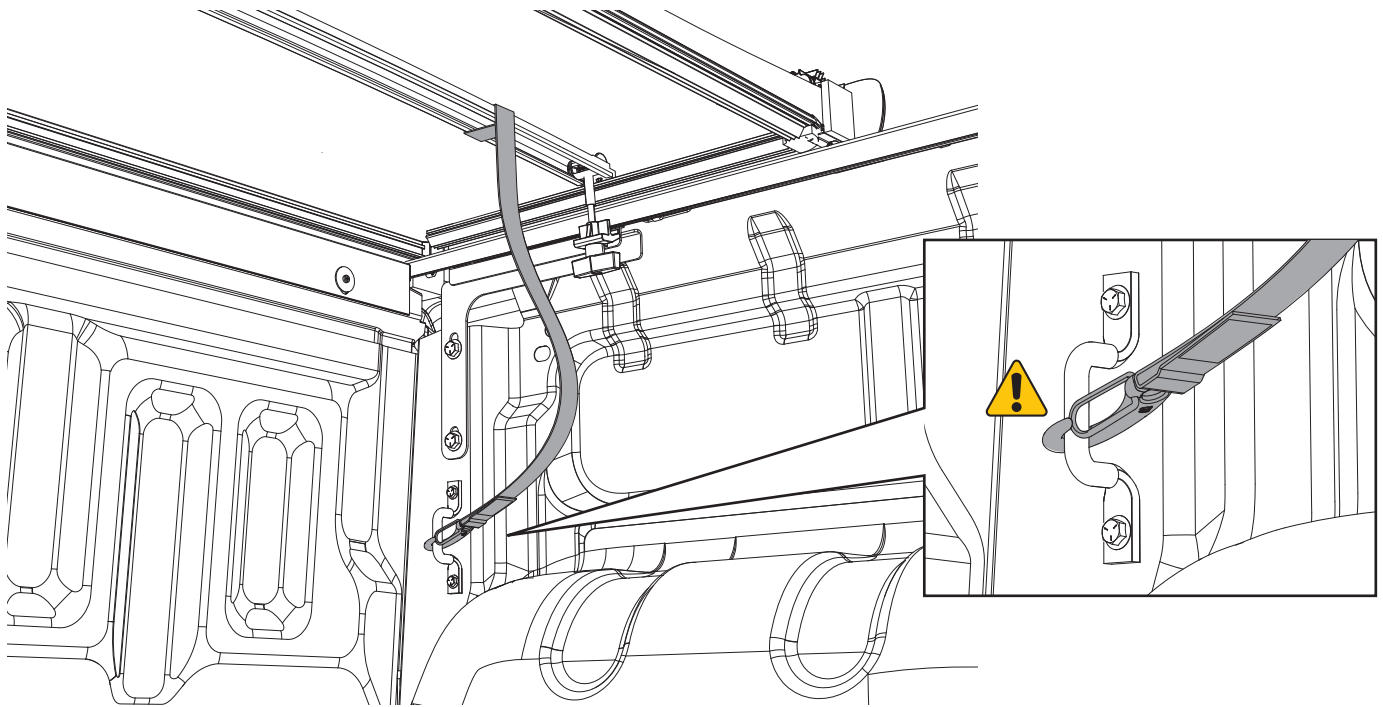


8 Slide the rear clamp out to the bed wall. Pull the rear clamp down, and hook it under the bottom edge of the metal bed flange. Do this for both the driver and passenger side.



9

Open the cover. The tethers are attached to the cover bow. Clip the tether to the tie-down hook at the front of the bed near the cab. Do this for both the driver and passenger side.



DRIVING WITH THE TONNEAU OPEN

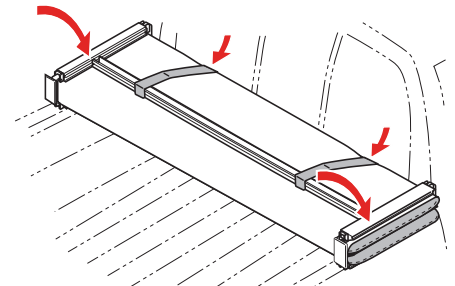
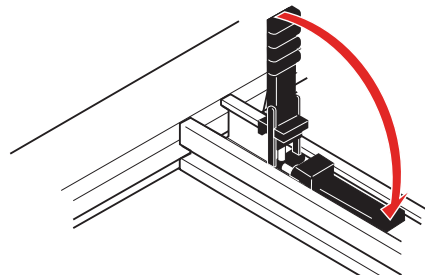
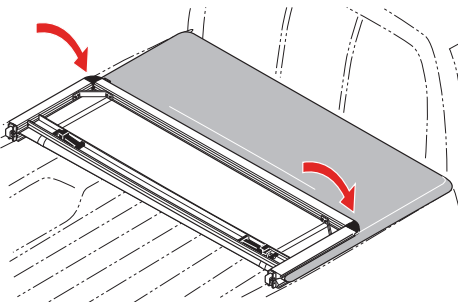
Release the rear clamps and fold the tonneau forward.



IMPORTANT: Before folding the second section of the tonneau, the rear clamps must be stowed into the rail to prevent damage to the fabric. **Failure to stow the handle will puncture the tarp and void the warranty.**



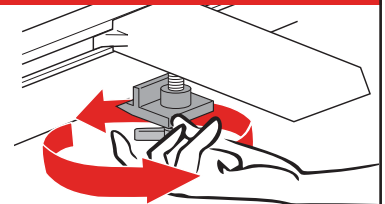
Fold the tonneau forward and fasten the straps in the middle section to the front rail. Check that the straps are tight. **Failure to do so could allow the wind to blow cover back resulting in damage to the cover and truck.**



IMPORTANT

Re-tighten the front/cab clamps and tethers after the first week of driving the vehicle. Also periodically check the clamps and tethers to ensure they are secure.

Closed/Extended Position – Bed cover must be completely secured by all four (4) clamps.
Open/Folded Position – Bed cover must be completely folded up (all panels) and secured at the cab with the provided buckles straps and with both tethers attached.
Do NOT drive with the bed cover in a partially open position.



NOTE: the tarp cannot be removed from the aluminum frame. Attempting to do so will cause damage and void the warranty.



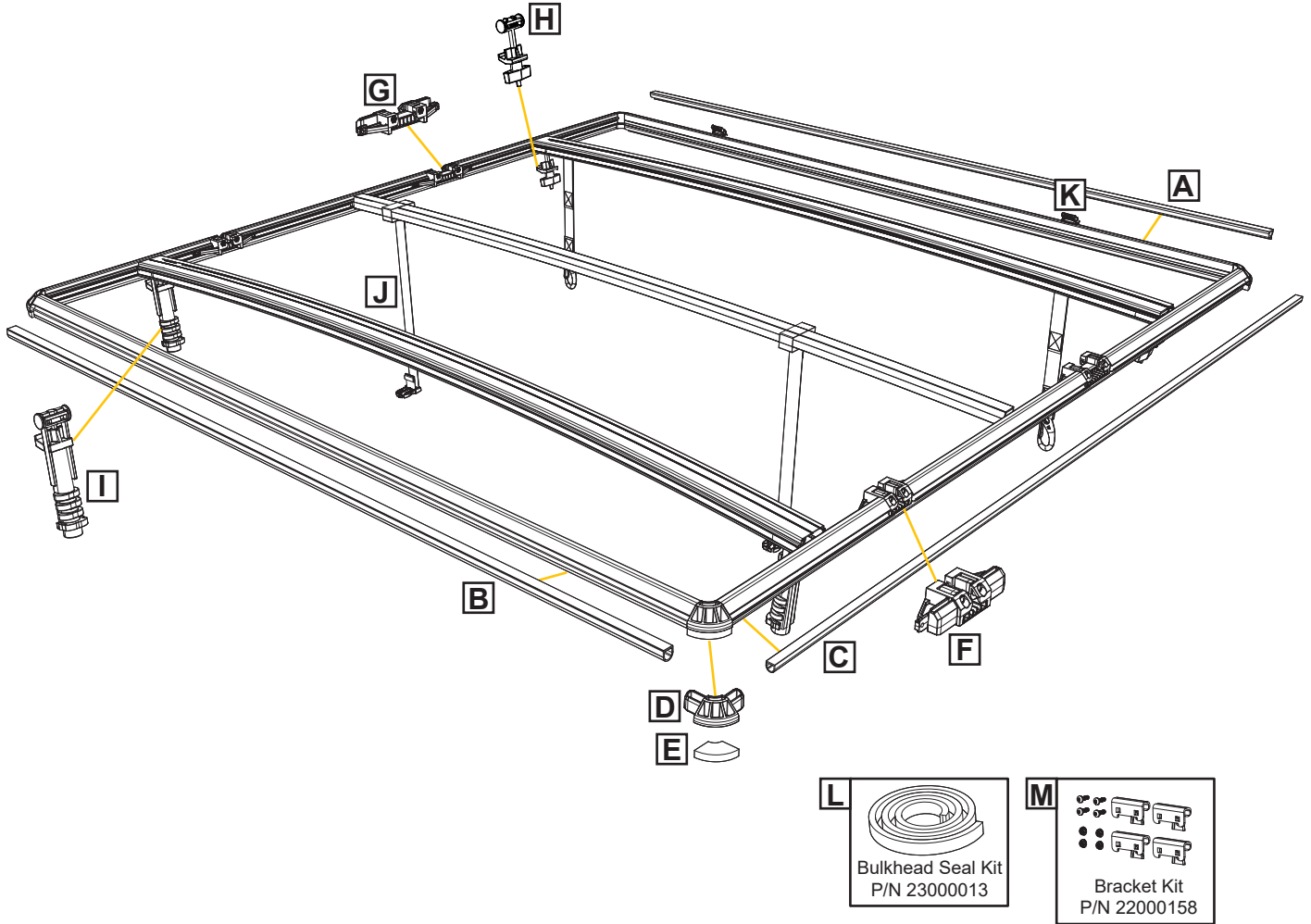
Do NOT allow the vehicle to be towed backwards without first removing the cover from the vehicle.



Remove any snow or foreign matter before folding the bed cover.

REPLACEMENT PARTS

Replacement parts can be ordered online at extang.com/replacement-parts or you can contact our Customer Service Department for assistance. When ordering, xxx represents the 3 digit suffix, as referenced on the sales receipt or vehicle application list.



Call Out	Title	Part Number	Description	Model Year	Qty
A	Cab Seal	32440500	1/2" D Seal (6') fits most applications		1
B	Tail Seal	32561500			1
C	Side Seal	32520052			1
D	Corner	24520100	Corner only, used front or rear		1
E	Corner Pad	32520002	Pad only, used front or rear, 1/2" thick		1
F	Tailgate Hinge Assembly	35521033			1
G	Cab Hinge Assembly	35521032			1
H	Cab Clamp Assembly	1034			1
I	Tailgate Clamp Assembly	1035/1042			1
J	Long Tarp Tie Down Strap	54720400	Long Tie Down Strap w/Male Buckle, used with 3-bow configuration		1
K	Buckle Assembly	54440100	Single Buckle assembly w/Female Buckle for Tie-down strap		1
L	Bulkhead Seal Kit	23000013	Cut to fit	2026	1
M	Bracket Kit	22000158	Complete kit for rear (tailgate) and front (cab) brackets	2026	1

LIMITED WARRANTY

This truck bed cover is warranted against defects in materials or workmanship as follows. This warranty is void if the product has been damaged in an accident, or due to neglect, unforeseeable use, improper installation, improper servicing, or other cause not arising out of defects in material or workmanship.

LIMITED FIVE-YEAR WARRANTY ON HARD PARTS

All hardware included with your truck bed cover, including rails, clamps and bows carry a limited warranty for five (5) years from the original date of purchase, subject to the terms below.

LIMITED FIVE-YEAR WARRANTY FOR FABRIC

The fabric on your truck bed cover carries a limited warranty for five (5) years from the original date of purchase, subject to the terms below.

WARRANTY IS NOT TRANSFERABLE

The warranty is to the initial consumer purchasing the truck bed cover and it is not transferrable to a subsequent end user. Proof of purchase may be required to enforce these warranty rights.

FAILURE TO FOLLOW THESE CARE AND USE INSTRUCTIONS WILL VOID THE WARRANTY

- Clean with mild automotive soap and water only.
- Use only water-based vinyl conditioners. Use of vinyl conditioners that contain silicone or petroleum may crack and shrink the vinyl and will void the warranty.
- Prior to vehicle operation, all clamps and retention mechanisms must be tightly secured to the vehicle:
 - Closed/Extended Position – Bed cover must be completely secured by all four (4) clamps.
 - Open/Folded Position – Bed cover must be completely folded up (all panels) and secured at the cab with the provided buckle straps and with both tethers attached. Do NOT drive with the bed cover in a partially open position!
- The truck bed cover MUST be free of foreign material, including snow and ice, before opening.
- Rear/tailgate panel clamps must be properly stored prior to folding the cover in order to prevent damage to the fabric.
- Front/cab clamps and retention mechanisms must be checked for tightness after a week of driving following installation (or re-installation) of the truck bed cover and periodically thereafter.
- Do NOT allow the vehicle to be towed backwards without first removing the cover from the vehicle.

WARRANTY PERFORMANCE

If all warranty conditions are met, a defective truck bed cover, tarp, or hardware component will either be repaired or replaced (at our option). We reserve the right, for any warranted return, to substitute a newer model of bed cover having similar form and function, to offer a warranty discount on an entire replacement system, and/or provide remedies other than those mentioned in this document.

WARRANTY PROCESS

A Return Authorization number must be obtained from our Customer Service Department prior to returning any product. We may require the original item to be returned postage prepaid for final determination. Shipping charges will apply for any repair or replacement. Other than postage or shipping charges, no charge will be made for repair or replacement under this warranty.

This warranty gives you specific legal rights. As a consumer you may also have additional rights and remedies under the laws of your state.

WARRANTY REGISTRATION

Warranty registration must be on file and/or proof of original purchase (detailed and dated receipt) required for warranty to be effective.

Register online at <https://realtruck.com/extang-warranty>

**REGISTER
YOUR
WARRANTY
ONLINE**



SOMETHING DAMAGED? MISSING PARTS?

CALL US FIRST
800-877-2588

WE CAN HELP YOU QUICKLY AND EASILY OVER THE PHONE

Experienced Customer Service staff are available
to answer all your truck bed cover questions

CUSTOMER SERVICE HOURS

8:30 a.m. TO 6:00 p.m. EST, MONDAY - FRIDAY

Truck bed cover model: _____

Purchase date: _____

Lot code: _____

Lot code can be found on the underside of cover.