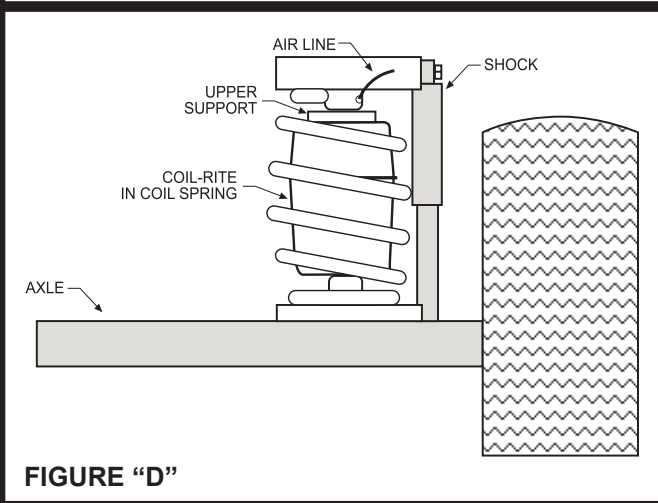
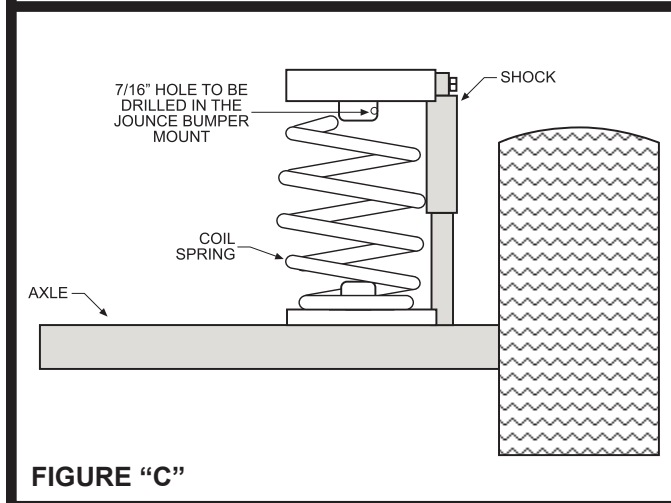
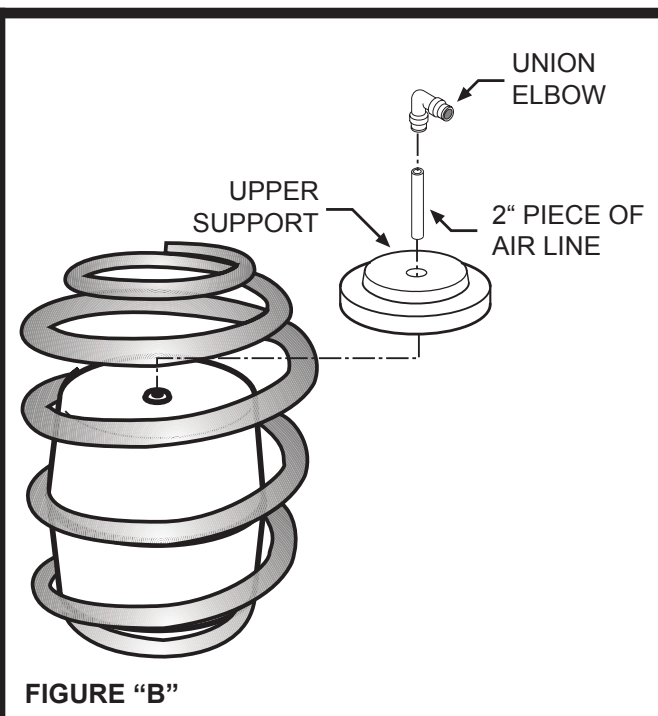
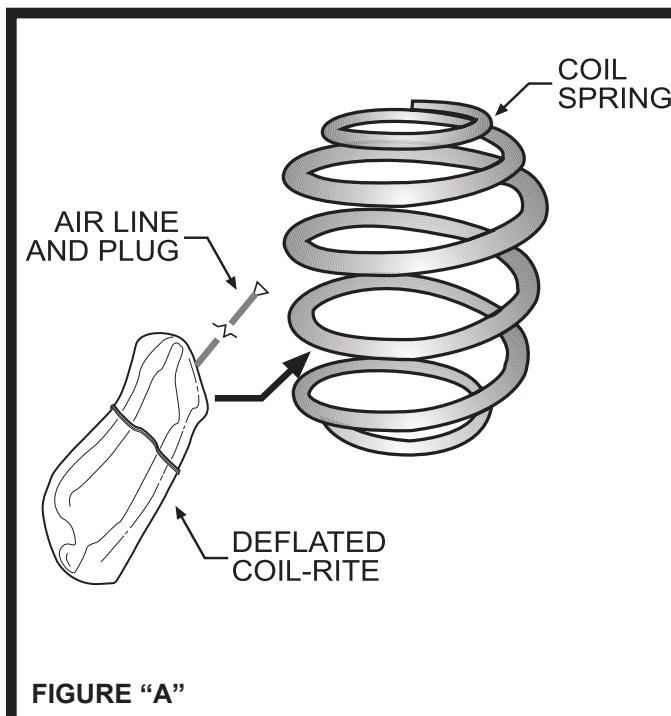




4157
4169
4192

Read completely before installing.



PARTS	QTY.	RECOMMENDED OPERATING PRESSURES
AIR SPRINGS	2	SUVS
UPPER SUPPORTS	2	VANS
18' AIR LINE	1	5 - 35 PSI
NYLON TIE	6	5 - 35 PSI
INFLATION VALVE	2	
5/16" FLAT WASHER	4	
THERMAL SLEEVE	2	
UNION ELBOW	2	
PLUG	2	

STEP 1—VEHICLE PREPARATION

Remove the negative battery cable. With the vehicle on a solid level surface, chock the front wheels. Using a jack rated for the weight of your vehicle, raise the wheels off the ground. Lower the vehicle frame onto jack stands rated for the vehicle weight, making sure the suspension is fully extended. (Do not use wood or concrete blocks to support the vehicle.) Your vehicle is equipped with jounce bumpers attached to the frame, inside the coil springs. Remove the jounce bumpers by pulling down at an angle (The jounce bumpers will not be reused). Next, drill a 7/16" hole in the jounce bumper mount in the anticipated direction of the air line, **see Figures "C", "D", & "E"**.

STEP 2—SHOCK ABSORBERS

If necessary, additional clearance between the coil windings may be obtained by removing the shock absorbers from the lower mounts and lowering the suspension an additional one to two inches. **(CAUTION: Do not put tension or strain on the flexible brake lines.)**

STEP 3—AIR SPRING PREPARATION

Cut a two inch piece of air line tubing making sure the tubing is cut as square as possible (a "saw" cut with a sharp knife is preferred). Install the tubing into the push-to-connect air inlet on the air spring. Exhaust the air from the air spring by rolling it up towards the air inlet. After the air is exhausted, install the plug into the tubing coming out of the air spring, **see Figure "A"**.

STEP 4—INSTALL THE AIR SPRING

Insert the top of the flattened air spring into the coil spring through the lowest opening in the coil spring with the air inlet at the top of the coil spring, **see Figures "A", "B", & "D"**. Push the air spring into the coil spring by hand or with a blunt tool. **DO NOT use anything with sharp edges or corners, as damage may occur.** When the air spring is completely within the coil spring, remove the plug and allow the air spring to return to its normal shape. Push the air spring to the bottom of the coil spring and insert the protector over the air line and onto the top of the air spring. Install the union elbow on to the end of the air line. **See Figures "B" & "D"**. For installation on the right side, repeat Steps 2 through 4.

STEP 5—ROUTE THE AIR LINE

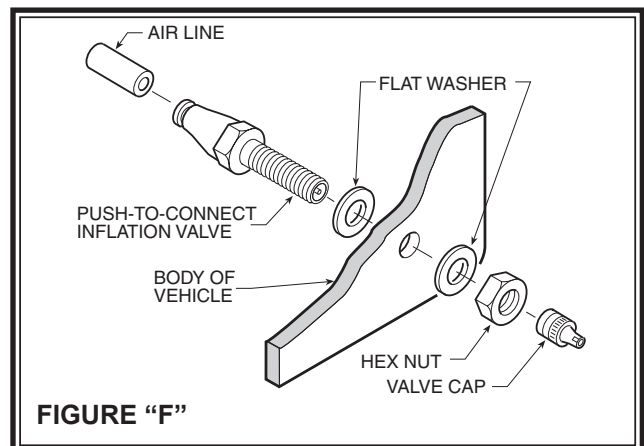
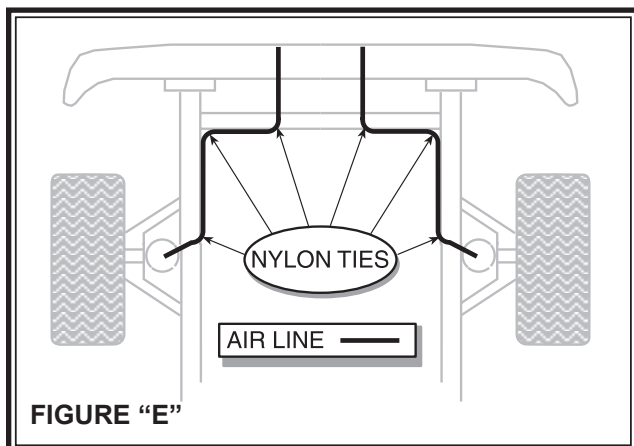
Select a location for the inflation valves in a protected area such as on the bumper or body. Use a sleeve protector on the air line to protect the tubing where it passes through the jounce bumper mount. Route the air line from the union elbow, through the 7/16" hole drilled in step 1, to the inflation valves (**Figure "E" & "F"**). Avoid any sharp edges or hot surfaces as well as sharp angles. The air line can be secured with the nylon ties provided. Install the inflation valves into 5/16" holes, **see Figure "F"**. Cut off any excess air line using the method mentioned above and push the end as far as possible into the inflation valve.

STEP 7—INFLATE AND TEST

Inflate the air springs to recommended maximum operating pressure (see page 1 for operating pressures). With a soap and water solution, check for air leaks around the fittings and valve core. Inflate and deflate in small increments to find the ideal riding conditions for your vehicle.

STEP 8—COMPLETION

Re-attach the shocks if necessary and the wheels. Torque all nuts and lug nuts to manufacture's specifications. Raise the vehicle, remove the jack stands, and lower the vehicle to the ground. Reattach the battery cable.





Do Not Return This Product to the Dealer or Distributor

If you are

- missing parts,
- experiencing installation problems, or
- have technical concerns regarding this product,

you may contact a Firestone Technical Service Representative at rrtech@fsip.com or at 800-888-0650 (option 1, and then option 2). Representatives are available from 7:30 a.m. – 4:30 p.m. Eastern on Monday – Friday, excluding holidays. If you are located outside of the United States, you should first contact your distributor or dealer directly with any issues.

When contacting Technical Service, please have the kit or part # ready, along with the make, model, and year of the vehicle. You may also need to provide details, such as 2WD/4WD or if the vehicle has been lifted or lowered from stock height.

If you have a warranty concern, please include in your email a detailed description of the situation, a photo(s) of the issue, and your contact information, including ship-to address.

WARRANTY COVERAGE*— The Ride-Rite™ kits, components, and accessories are warranted against defects in workmanship and materials. This warranty does not cover service or labor charges, neglect...to the product.

PERIOD OF COVERAGE:

- | | |
|---|--|
| • Ride-Rite air springs – Lifetime Limited | • Work-Rite load assists – 2 Years Limited |
| • Sport-Rite air springs – Lifetime Limited | • Air-Rite accessories – 2 Years Limited |
| • Coil-Rite air springs – Lifetime Limited | • Brackets, hardware, fittings, air line, and other components – 2 Years Limited |
| • Level-Rite air springs – Lifetime Limited | |

HOW TO MAKE A WARRANTY CLAIM — If you purchased your air springs in the U.S. or Canada and believe you have a part with a warrantable defect, call Firestone directly at 1-800-888-0650.

International customers should contact their distributors or dealers directly with any problems.

(*) Please refer to the “Firestone Limited Lifetime Air Spring Warranty” for details, terms, and conditions.

WARRANTY QUESTIONS

Go to www.riderite.com/installation-support
Select “Warranty Info” tab