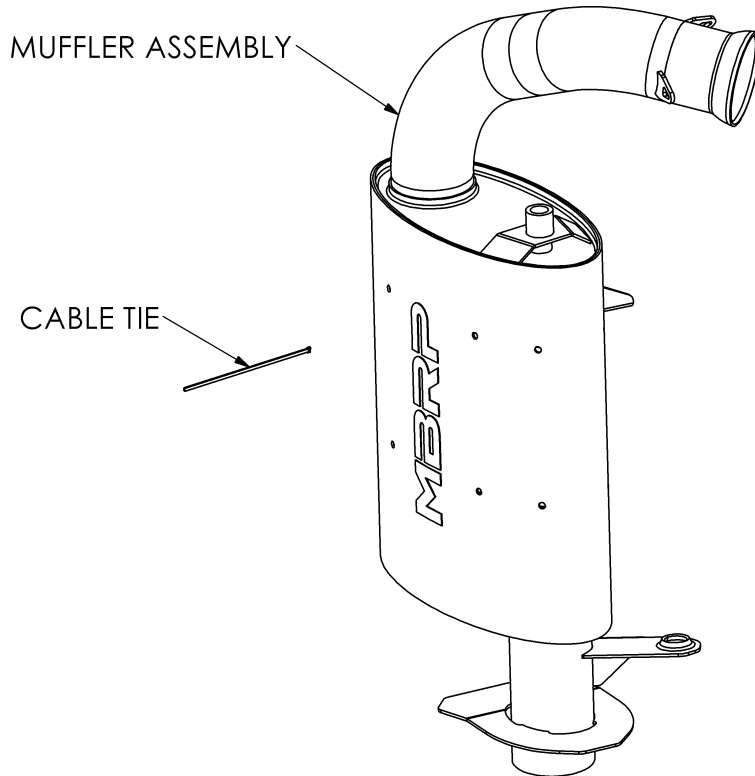


140Q106

QUIET MUFFLER ASSEMBLY
2023-UP SKI-DOO 850 ETEC GEN5 PLATFORM
2023-UP LYNX SHREDDER 850 ETEC
2024-UP LYNX XTERRAIN RE, RAVE RE 850 ETEC
2024-UP SKI-DOO 600R ETEC GEN5 PLATFORM
2025-UP LYNX RAVE RE 600R ETEC

MBRP



PLEASE READ BEFORE STARTING INSTALLATION

While MBRP Ltd. has made every effort to ensure that all components of this system are of superior quality and properly packaged, it is the installer's responsibility to ensure the following before removal of the factory exhaust:

- that ALL components shown above are present.
- that ALL mating components fit together.
- that there are no damaged components.
- that the system you have purchased is appropriate for your vehicle year, model and configuration.
- that the system will not interfere with any modifications previously installed or planned.
- that you have read and understand these instructions.

If you have any questions or are uncertain about any aspect of the installation of this system to your vehicle please contact your dealer before commencing installation.

MBRP

Removal of Stock Muffler:

Note: Local regulations may limit or prohibit modification to your snowmobile's emissions system and/or the sound levels that it generates. It is your responsibility to be aware of restrictions that may apply to your intended use of this product.

CAUTION: **DO NOT** touch muffler while snowmobile is running or shortly after it has run, as it may result in personal injury.

* **Retain all factory parts and hardware for final installation.**

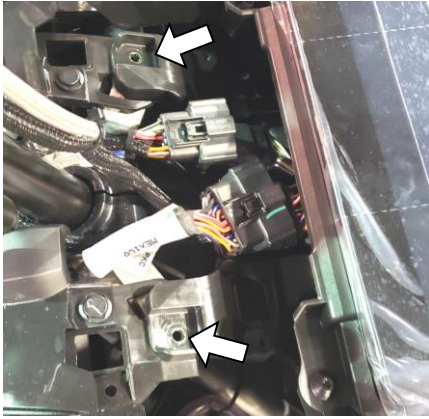


Figure 1

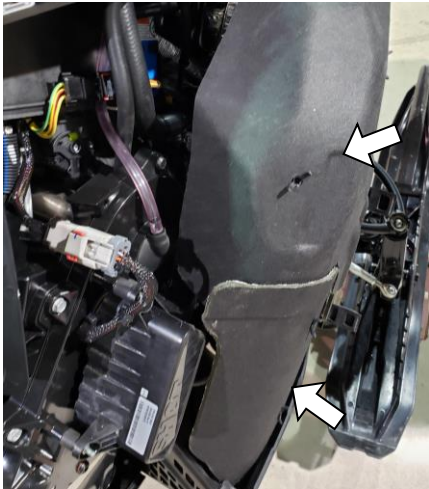


Figure 2



Figure 3



Figure 4

1. Remove both side panels (and belt guard).
2. Loosen the clamp sealing the airbox to the hood and disconnect. It is located just above the secondary clutch.
3. Remove the small top panel ahead of the handlebars by sliding it forward to expose the electrical connectors (2) and the two (2) screws securing the hood. Disconnect the electrical connectors and remove the two screws.
Refer to Figure 1.
4. Remove the 2 screws at the front of the hood and then slide the hood forward to remove it.
5. Remove the top heat shield panel to access the stock muffler. (The bottom panel will be removed with the muffler). **Refer to Figure 2.**
6. Remove the heat shield from the muffler inlet, followed by the exhaust springs.
7. Remove the muffler retaining bolt and spring (inner side of muffler).
8. Disconnect the exhaust sensor. **Refer to Figure 3.**
9. Remove the stock muffler from the vehicle, lifting the heat shield panel out with it.
10. Remove the exhaust sensor and the 3 rubber bushings from the muffler - they will be reused.

MBRP

Installation of MBRP Muffler:

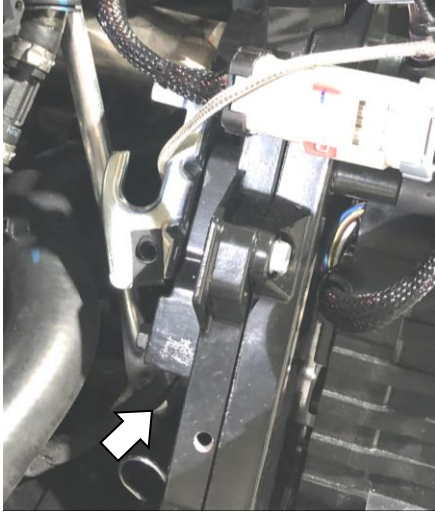


Figure 5

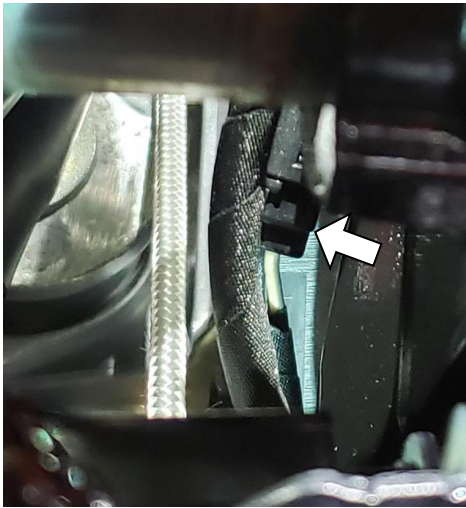


Figure 6



Figure 7

1. In order for the exhaust sensor to reach its location on the new muffler, the connection lead from the wiring harness needs to be unclipped and repositioned behind the chaincase:
 - i) Unclip the connector from the chaincase and remove the white plastic clip from the connector.
 - ii) Remove the pullcord handle housing (1 screw in the base) to increase access behind the chaincase. **Refer to Figure 4.**
 - iii) Connect the exhaust sensor to the connection lead, then feed the sensor behind the chaincase from back to front, routing the wire under the drive axle and tight to the chaincase. **Refer to Figures 5 & 6.**
 - iv) Remove any excess slack from the wire to ensure that the connectors remain tight to the chaincase and clear of the pullcord, then use the **Cable Tie** to secure the sensor wire to the speedometer cable near the clip on the chaincase. **Refer to Figure 7.**
 - v) Replace the pullcord handle housing.
2. Insert the rubber bushings on the **MBRP muffler**, only 2 will be used. Be sure the bushing with the metal sleeve is installed in the upper bracket.
3. Install the MBRP muffler. Reinstall the muffler retaining bolt and spring.
4. Reinstall the exhaust springs.
5. Reinstall the exhaust sensor.
6. Replace the heat shield panels, then reinstall the hood panels, the airbox hose, and the side panels in the reverse order that they were removed.

It is highly recommended to reinstall the OE muffler inlet heat shield assembly onto the MBRP muffler inlet. Minor trimming of the shield may be required to provide clearance around the exhaust sensor.

Congratulations! You are ready to begin experiencing the improved performance and driving excitement of your **MBRP** Exhaust upgrade. We know you will enjoy your purchase.

MBRP Ltd. warranty applies for a two (2) year period from the date of purchase to defects in product material and workmanship and is to the original purchaser on record and for the original vehicle for which it was designed and installed. This warranty is limited, at MBRP's sole determination, to the repair or replacement of defective product only and does not include the cost of removal or re-installation, damage by accident, abuse, misuse or misapplication or any consequential damages however they may arise. Determination of warranty coverage shall be at the discretion of an authorized MBRP quality engineer.