

TruXedo Lo Profile® is a registered United States trademark of Shur-Co. Patents pending.

Web Site : <http://www.truxedo.com>

Phone: USA 1-877-TRUXEDO (1-877-878-9336) Fax: (605) 664-9304

P.O. Box 713, 2309 Shur-Lok Street, Yankton SD 57078



PICKUP BED COVER

TRUXEDO  
Lo Profile  
By Shur-Co.



Lo Profile

# OWNER'S MANUAL

## LIFETIME WARRANTY

Shur-Co. warrants that all new, unused products are free from defects in material and workmanship. This Warranty is effective if the product is properly installed and used for the purpose intended for the life of the product. It applies to the original buyer only. Shur-Co.'s obligation under this Warranty is limited to repairing, or at its option, replacing any part that is returned, transportation prepaid, to Shur-Co., Yankton, South Dakota, if the product is, in our judgment, defective. All materials must be accompanied by an RMA (Returned Material Authorization) number requested by and authorized in advance of returning the materials. Shur-Co. shall not be liable or responsible to supply or pay labor to replace any part found defective, nor shall it be liable for any damages of any kind or nature to person, product, or property.

There are no Warranties for used products or products that have been repaired, altered, modified, subjected to misuse, negligence, accident or ordinary wear and tear.

Shur-Co. products are sold without any express warranty except as set forth above. Shur-Co. is not obligated to honor warranty claims if Genuine Shur-Co parts are not utilized.

DIRECT ALL WARRANTY CLAIMS TO SHUR-CO. AT 1-877-878-9336

### SAFETY INSTRUCTIONS

1. Do not place objects on or against cover or framework.
2. Do not tie cargo to TruXedo framework.
3. Never allow children or pets to occupy pickup box while cover is closed.
4. Cover is not airtight. Special care is required to keep cargo clean and dry.
5. Fabric cover won't prevent theft of contents inside truck box.
6. Cover must be rolled fully open and secured with safety straps when towing vehicle backwards.

### OWNER/USER RESPONSIBILITIES

It is the responsibility of the owner/user to read this manual & comply with the operating procedures. The owner/user is also responsible for inspecting the TruXedo® cover, and for having parts repaired or replaced when worn or damaged.

Failure to follow safety instructions and warning labels could result in failure of your cover system and/or personal injury.

### MESSAGES TO INSTALLER

- Always wear safety glasses and/or other necessary protective equipment when installing your TruXedo®.

- These instructions are complete for most pickup models. Additional instructions are included, if required for your truck. Please read entire manual before installing your TruXedo®.

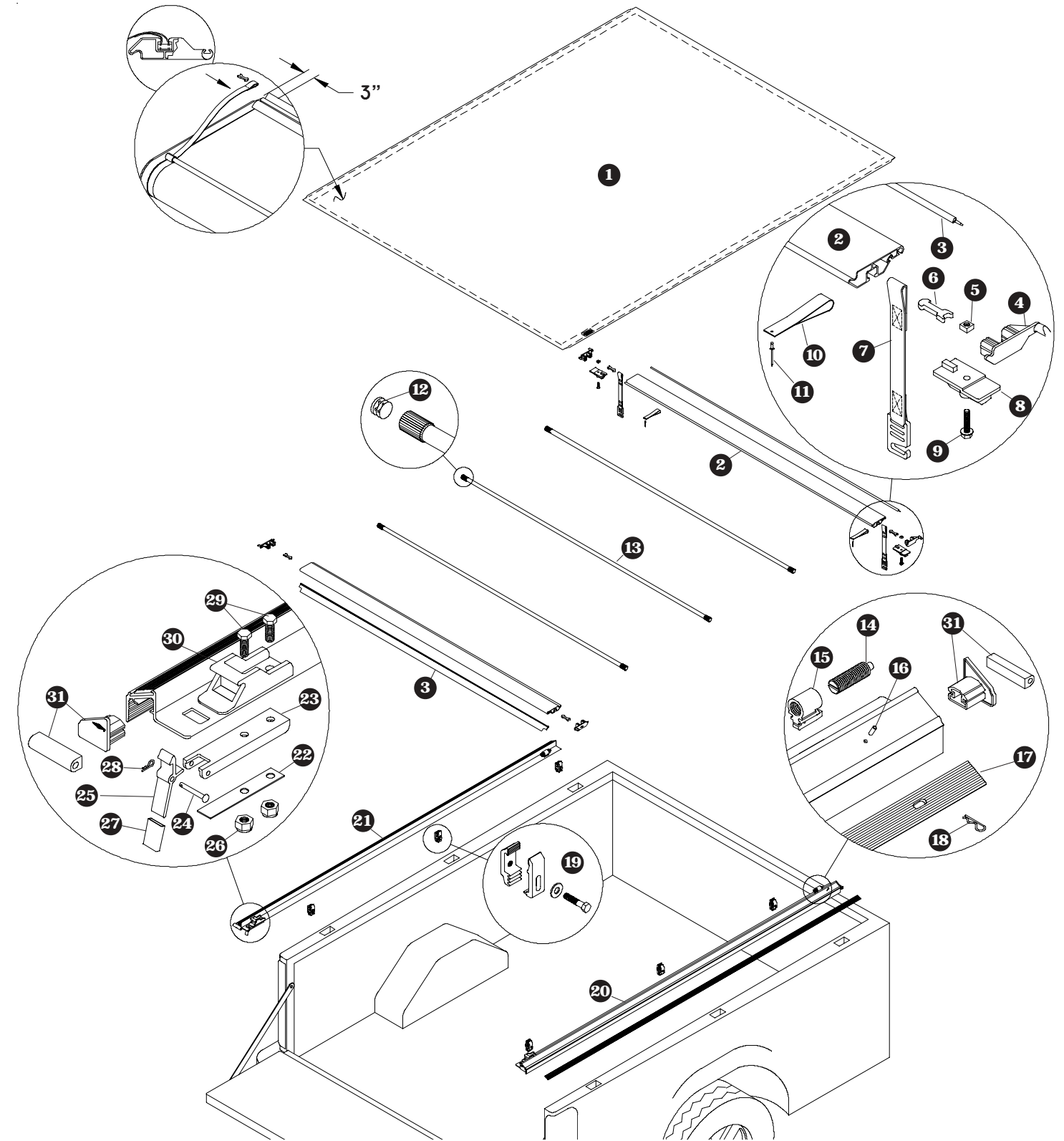
### COVER MAINTENANCE

Vinyl cover can be hand washed with mild soap and water or cleaned in a car wash. Thoroughly rinse cover to remove any soap residue. Cover can be treated with any vinyl protectant made for tonneau covers.

Never use silicon, petroleum, or citrus based products on your tonneau cover.

### TOOLS REQUIRED:

1. 9/16" Ratchet or Wrench
2. Large Flat Screwdriver

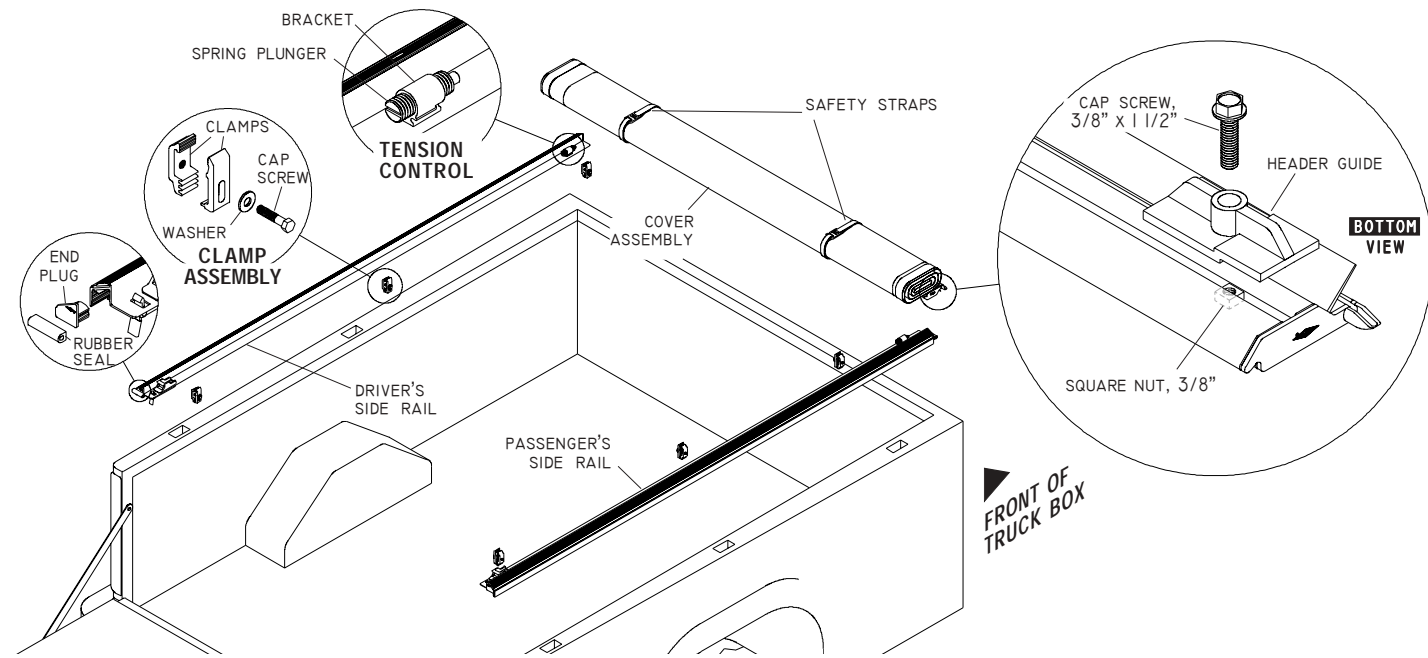


### TRUXEDO REPLACEMENT PARTS

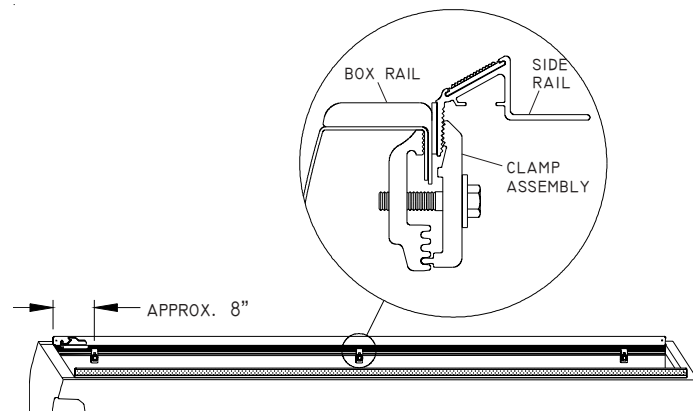
|    |         |                               |    |         |                              |    |         |   |
|----|---------|-------------------------------|----|---------|------------------------------|----|---------|---|
| 1  | *       | TruXedo Replacement Cover     | 11 | 1703344 | Blind Rivet, 1/8" x 3/16"    | 21 | *       | Side Rail, Driver's Side                |
| 2  | *       | Black Header                  | 12 | 1701595 | End Plug, 1" OD              | 22 | 1114773 | Flat Spring, 5/8" x 3 7/8"              |
| 3  | *       | Header Seal, Notched          | 13 | *       | Black Bow                    | 23 | 1115658 | Latch Main Frame                        |
| 4  | 1115372 | Header End Plugs (Set of Two) | 14 | 1702992 | Spring Plunger, 5/8" x 1.94" | 24 | 1702610 | Clevis Pin, 3/16" x 1 1/4"              |
| 5  | 1702602 | Square Nut, 3/8"              | 15 | 1703260 | Tension Control Bracket      | 25 | 1114888 | Toggle                                  |
| 6  | 1115354 | Header Insert Safety Clip     | 16 | 1703345 | Spring Pin, 1/8" x 5/16"     | 26 | 1700419 | Nylon Lock Nut, 5/16"                   |
| 7  | *       | Safety Strap                  | 17 | *       | Shur-Bond™ VELCRO® Fasteners | 27 | 1703265 | Toggle Cap                              |
| 8  | 1114872 | Header Guide                  | 18 | 1703332 | Hitch Pin, 1/16" x 1 5/16"   | 28 | 1702611 | Cotter Pin, 3/64" x 19/32"              |
| 9  | 1703000 | Cap Screw, 3/8" x 1 1/2"      | 19 | *       | Aluminum Clamp Assy          | 29 | 1702926 | Cap Screw, 5/16" x 7/8"                 |
| 10 | 1115353 | Header Safety Strap           | 20 | *       | Side Rail, Passenger's Side  | 30 | 1702801 | Header Stop                             |
|    |         |                               |    |         |                              | 31 | 1115373 | Side Rail End Plugs w/Seal (Set of Two) |

\* Please specify length or make and model of vehicle.

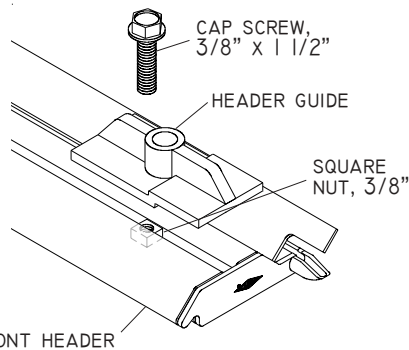
## SIDE RAIL & COVER INSTALLATION



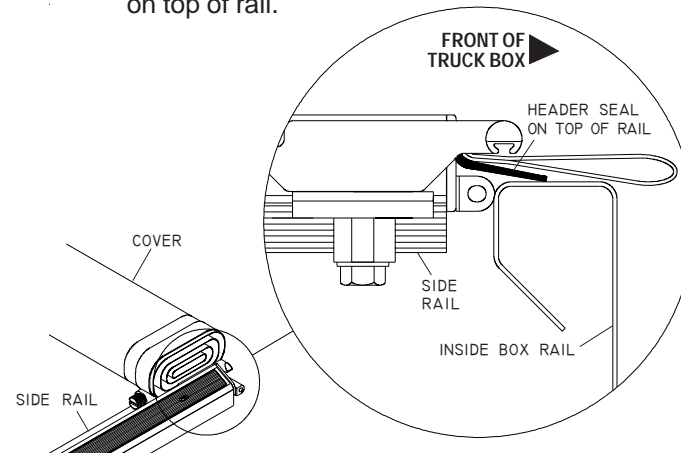
**STEP 1:** Place side rails against front of truck box, flush with box rail and level with each other. Starting at tailgate, evenly space 3 clamps along each side rail, leaving approx. 8" on each end.



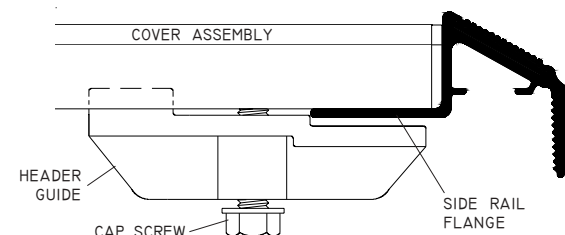
**STEP 3:** Install header guides into front header with 3/8" x 1 1/2" cap screws and 3/8" square nuts as shown. Nuts have been pre-installed into slot in header guide. Finger tighten.



**STEP 4:** Set cover assembly behind cab with header seal on top of rail.

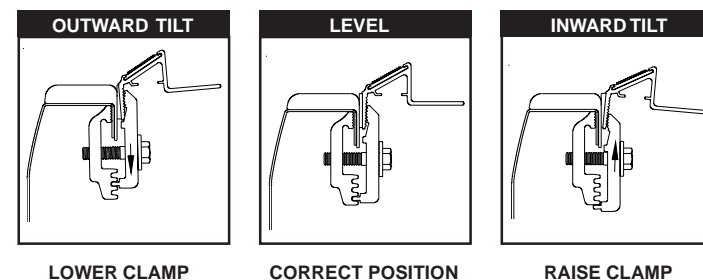


**STEP 5:** Slide header guides into side rail flanges on each side of header. Tighten bolts securely.



**WARNING** Tighten clamps securely on side rails before driving vehicle.

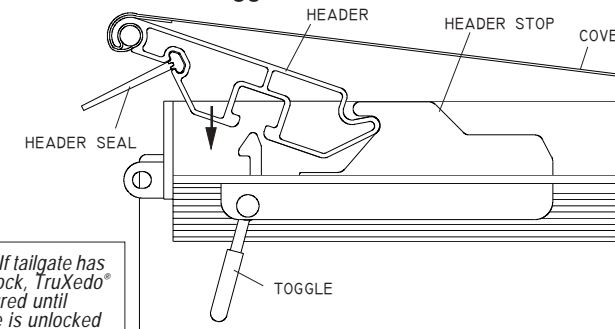
**STEP 2:** For optimum latching performance and cover fit, side rails must be level. To adjust rails, loosen screws and reposition male clamps higher or lower. Tighten all clamps.



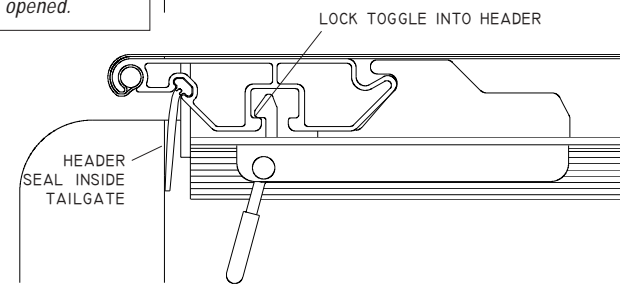
**NOTE:** Clamp configurations shown are for reference only and are not intended to be standard for all pickups.

## LATCHING & UNLATCHING COVER

**STEP 6:** Unroll cover toward tailgate and rest bows on side rails. Rotate header into header stops and press down to lock toggle into header.

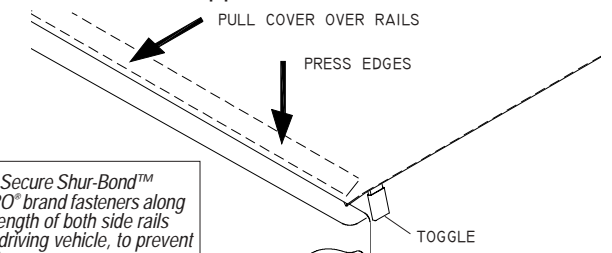


**NOTE:** If tailgate has a key lock, TruXedo® is secured until tailgate is unlocked and opened.



**NOTE:** In cold weather conditions or with some accessories, it may be preferable to close the cover before closing the tailgate. Header seal may be placed across top of tailgate if preferred.

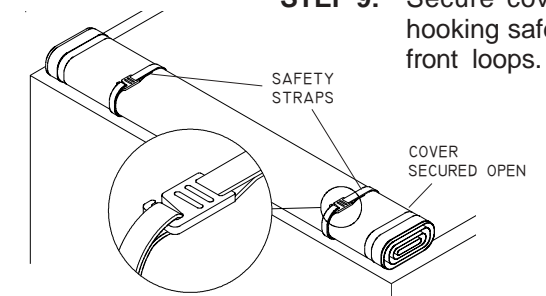
**STEP 7:** Secure Shur-Bond™ fasteners on one side rail, by pressing along full length of rail. Pull cover tight across pickup bed, and secure Shur-Bond™ fasteners on opposite side rail.



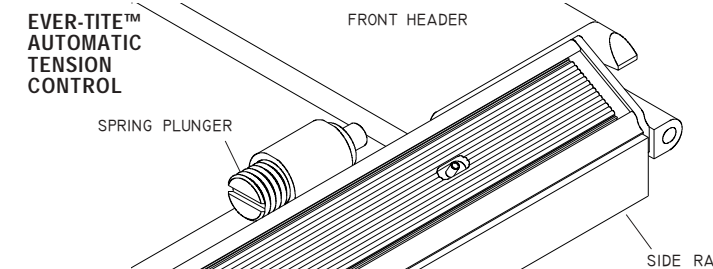
**NOTE:** Secure Shur-Bond™ VELCRO® brand fasteners along entire length of both side rails before driving vehicle, to prevent wind lift.

**STEP 8:** To release cover, pull back on toggle. Roll cover toward cab to open. For best results, leave cover fastened to side rails while opening.

**STEP 9:** Secure cover open by hooking safety straps to front loops.

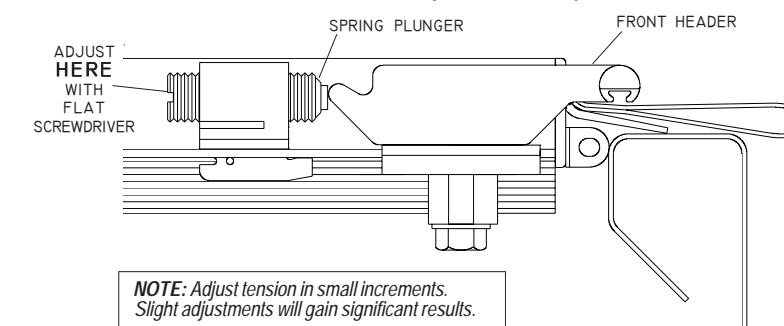


## COVER TENSION ADJUSTMENT

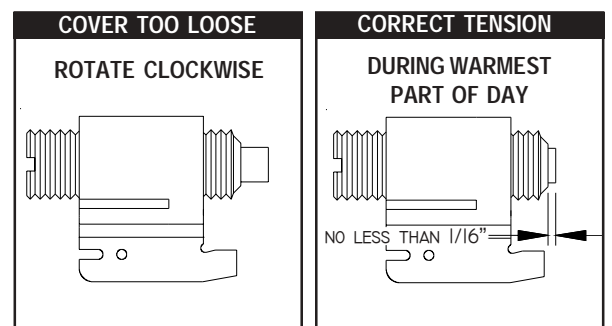


- Spring plunger compensates for material expansion & contraction caused by temperature changes.
- Check cover tension after installation, seasonally, & after extreme temperature changes.
- For best performance, adjust tension regularly to protect your cover against wind wear.

**STEP 10:** Set tension during warmest part of day. With cover closed, release VELCRO® brand loop from both side rails near cab. Check compression of both spring plungers against the front header per diagram. Roll cover open and make adjustments. Close cover and recheck adjustment. Repeat until satisfactory tension has been achieved.



**NOTE:** Adjust tension in small increments. Slight adjustments will gain significant results.



## TROUBLE SHOOTING

### HEADER WILL NOT LATCH:

Check side rails to make sure they are level. See Step 2. Make sure the header seal is not caught between side rail & header. Check position of side rails on pickup box, they may be positioned too low. See Step 1.

**FABRIC COVER IS TOO TIGHT OR TOO LOOSE:** See Step 10 to adjust tension.

\* VELCRO® is a registered trademark of the Velcro companies.

### Questions?

Call our friendly customer service staff at Shur-Co. Toll Free:  
**1-877-878-9336**  
Mon - Fri 8 am - 5 pm CT